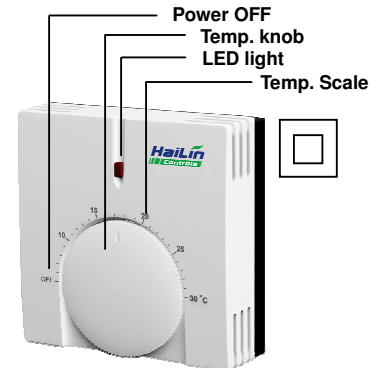


HA202 Thermostat User Manual

HA202 is an electronic and very easy manipulated thermostat specially for heating system, with relay to control electric thermal heating valve open and close. When temperature is 2°C lower than set point, electric thermal heating valve will be open while LED light tells the working state, LED light shows orange color. When room temperature reaches set point, electric thermal heating valve is closed as LED light shows red color, while the thermostat is still working. When turn the knob to OFF, thermostat will power off with LED light power off. This function makes thermostat safe and saving energy.



BASIC FEATURES

- ☞ Room temp. Setting
- ☞ Control electric thermal heating valve on/off
- ☞ LED indicates working state

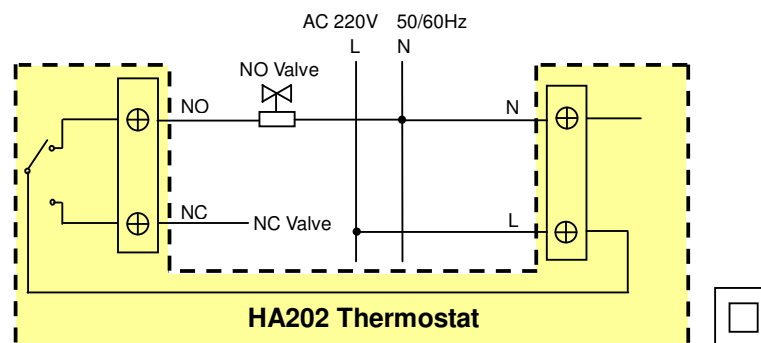
SPECIFICATIONS

- ☞ Set-point range: 5 ~ 30°C
- ☞ Switch current rating: Resistive: < 3 A
Inductive: < 0.5 A
- ☞ Power: AC 220V ± 10%, 50/60Hz
- ☞ Size: 86 × 86 × 33 mm (W × H × D)
- ☞ Hole pitch: 60 mm (Standard)

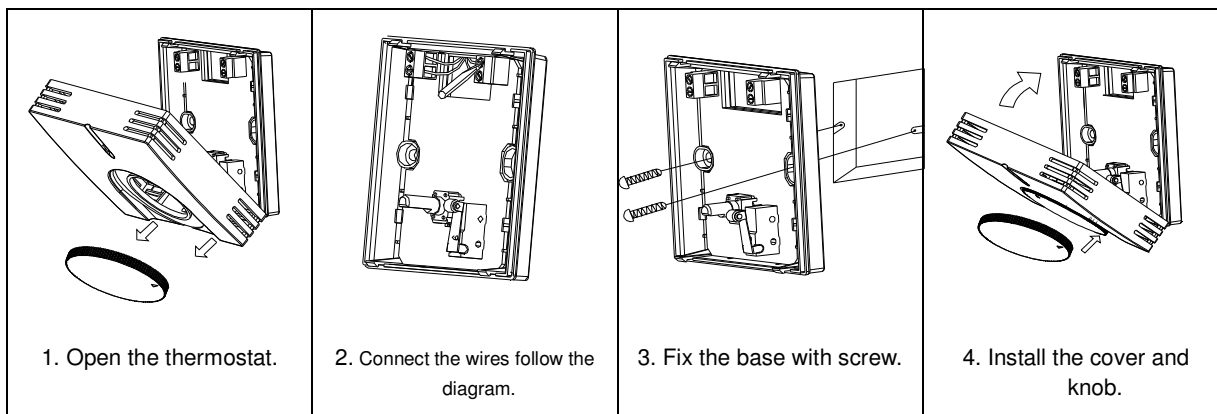
OPERATION INSTRUCTION

- ☞ Set point: turn the adjusting knob to the desired temperature.
- ☞ Control of N/O electric thermal heating valve: when room temp reaches the set point, turn off electric thermal heating valve (or electric valve) automatically; when temp is lower 2°C than set point, turn on electric thermal heating valve (or electric valve) automatically.
- ☞ Control of N/C electric thermal heating valve: when room temp is lower 2°C than set point, turn on electric thermal heating valve (or electric valve) automatically; when temp reaches the set point, turn off electric thermal heating valve (or electric valve) automatically.
- ☞ Control of power supply for thermostat: When turn knob to OFF, LED red light turn off, power supply of thermostat is turn off.
- ☞ Meaning of double color LED light: LED with red light, tells thermostat stand-by; LED with orange color while red light, green light turn on simultaneously, tells thermostat is working.

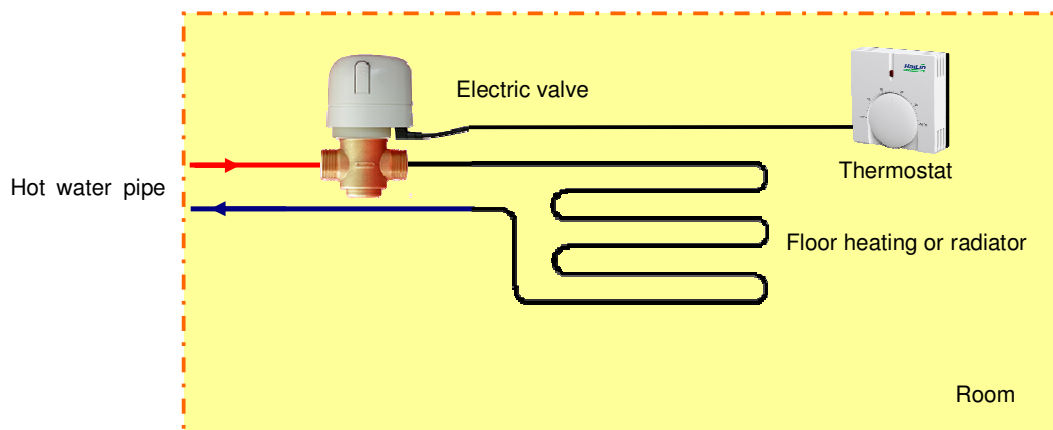
WIRING DIAGRAMS



MOUNTING



APPLICATION



Note: Be sure to connect all the wires as per the wiring diagrams and keep it away from water, mud and other material so as to prevent the unit being spoiled!